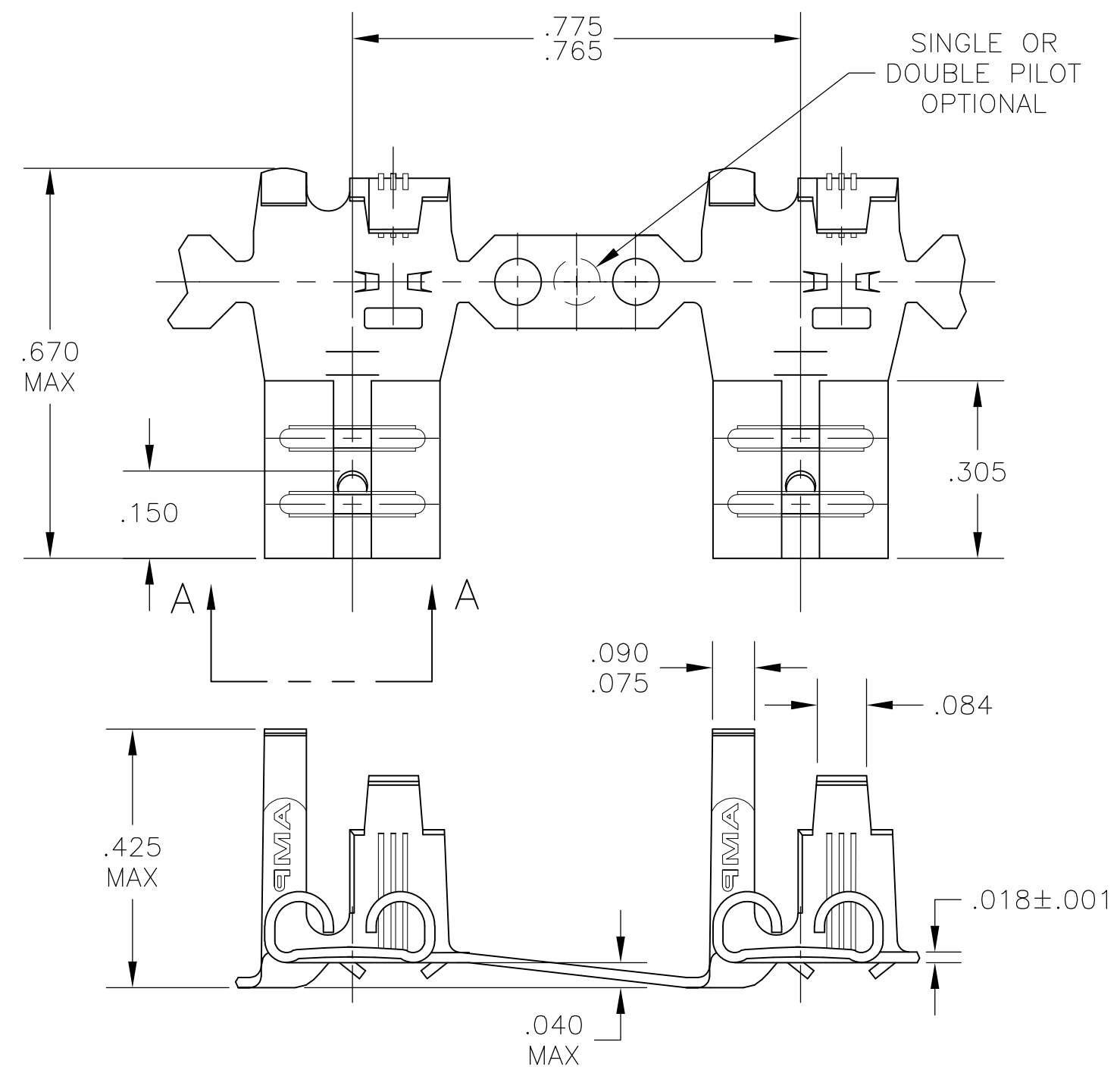
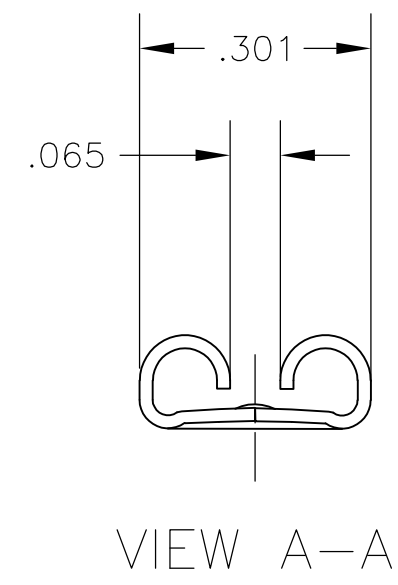


THIS DRAWING IS UNPUBLISHED. RELEASED FOR PUBLICATION  
 © COPYRIGHT - By - ALL RIGHTS RESERVED.

LOC	DIST	REVISIONS			
P	LTR	DESCRIPTION	DATE	DWN	APVD
AF	50	AB	REVISED PER ECR-12-013445	18OCT12	KH PD



- 1 CONTINUOUS STRIP ON REELS
- 2 MATING TAB THK IS .032±.001.
- 3 WIRE SIZE IS #18-#12 AWG
- 4 INSULATION RANGE IS .110-.210 DIA.



41532  
PART NO.

THIS DRAWING IS A CONTROLLED DOCUMENT.		DWN	JR RUTH	18OCT02	TE Connectivity NAME RECEPTACLE, FLAG, FASTON, .250 SERIES			RESTRICTED TO				
DIMENSIONS: INCHES		CHK	P DESANTIS	18OCT02				SIZE	CAGE CODE	DRAWING NO	-	
TOLERANCES UNLESS OTHERWISE SPECIFIED:		APVD	P DESANTIS	18OCT02				A300779		C-41532	-	
0 PLC ± - 1 PLC ± - 2 PLC ± - 3 PLC ± .015 4 PLC ± - ANGLES ± -		PRODUCT SPEC	-					SCALE		SHEET		REV
MATERIAL: BRASS		FINISH	TIN		CUSTOMER DRAWING		4:1		1 OF 1		AB	